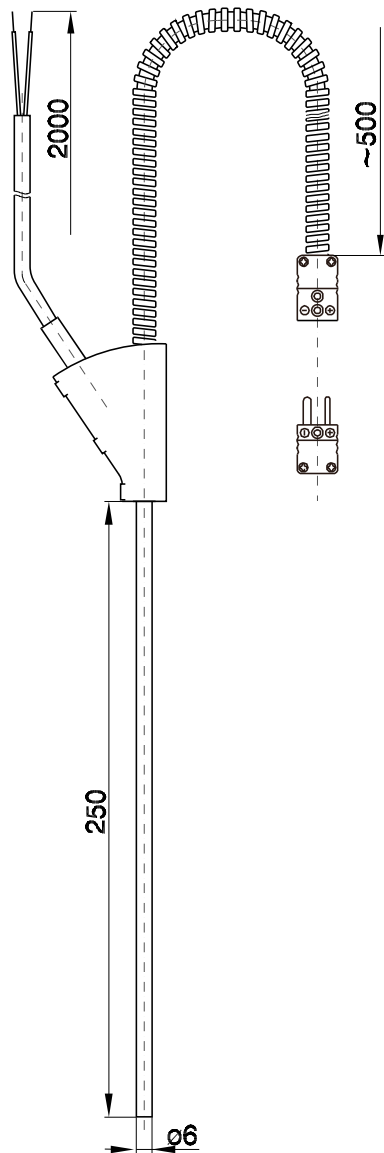


Components and accessories

Reference junction

Cold junction VGS



For all thermocouple tests with higher accuracy requirements, especially in calibration laboratories.

Application in compressed ice-water mixture in a Dewar container.

Connector

free ends
connector on inquiry

Thermo junction

L (Fe-CuNi) DIN 43 710
J (Fe-CuNi) DIN EN 60584
K (NiCr-Ni) DIN EN 60584
N (NiCrSi-NiAl) DIN EN 60584
E (NiCr-CuNi) DIN EN 60584
T (Cu-CuNi) DIN EN 60584
S (PtRh10-Pt) DIN EN 60584
R (PtRh13-Pt) DIN EN 60584
B (PtRh30-PtRh6) DIN EN 60584
Au-Pt DIN EN 62460
Pt-Pd DIN EN 62460
on inquiry

Type of connection cable

2m Cu stranded wire LifY 0,5 mm² , with low e.m.f.