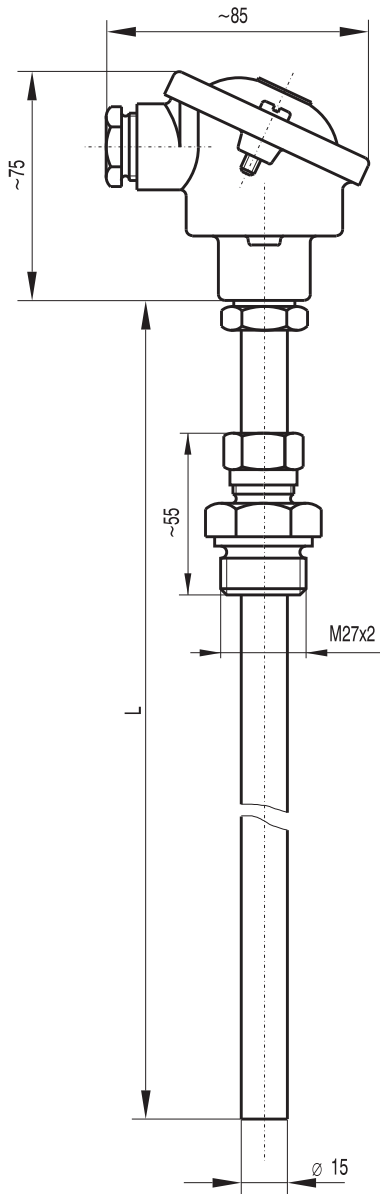


Thermocouples  
with connection head  
Series 231



Thermocouple with exchangeable measuring insert and adjustable thread joint

**Construction**

Basic implementation  
Licence Germanisch Lloyd (L max. 200 mm)

**Connection head**

Form B according DIN 43 729  
on inquiry

**Protection classification**

IP 54 according DIN 60529  
on inquiry

**Application temperature**

up to +800 °C

**Thermo junction**

J (Fe-CuNi) DIN EN 60584  
K (NiCr-Ni) DIN EN 60584  
on inquiry

**Number of Thermo junction**

1 thermocouple  
2 thermocouples

**Wire size**

1 mm

**Protective tube material**

1.4571  
on inquiry

**Nominal length L**

on inquiry