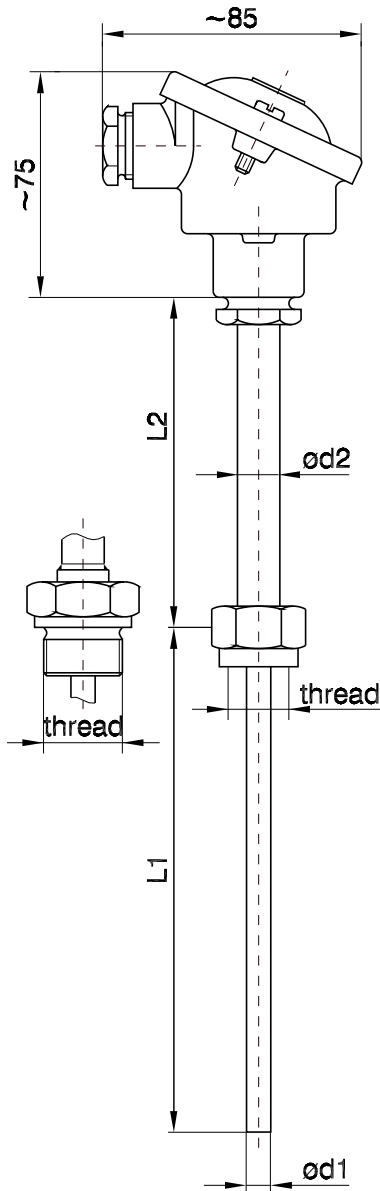
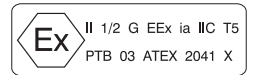


# Thermocouples with connection head Series 248



Thermocouple with exchangeable measuring insert, only for combination with already built-in protection tubes on measuring place (otherwise no insulation between process-connection and interior connection head), for middle and high operating pressures Attention: with directly built-in (without additional protective tube) can become the measuring insert in the extension tube soldered or welded (insulation between process-connection and interior connection head, measuring insert not replaceable) - with order declares!

### Construction

Basic implementation  
EX-implementation (build in protective tube necessary)

### Connection head

Form B according DIN 43 729  
Form BUZ for explosion-proof design according DIN 43 729  
on inquiry

### Protection classification

IP 54 according DIN 60529  
on inquiry

### Application temperature

up to +800 °C

### Thermo junction

J (Fe-CuNi) DIN EN 60584  
K (NiCr-Ni) DIN EN 60584  
on inquiry

### Number of Thermo junction

1 thermocouple  
2 thermocouples

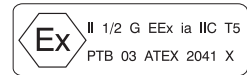
### Wire size

1 mm

### Protective tube material

1.4571  
on inquiry

Thermocouples  
with connection head  
Series 248



**Measuring insert diameter d1/ Extension tube diameter d2**

6/9  
6/11  
8/12  
on inquiry

**Insert length L<sub>1</sub>**

on inquiry

**extension tube length L<sub>2</sub>**

130 mm  
on inquiry

**process connection**

outside thread  
cup nut

**Thread**

M18x1,5  
M20x1,5  
M27x2  
G1/2  
G3/4  
on inquiry