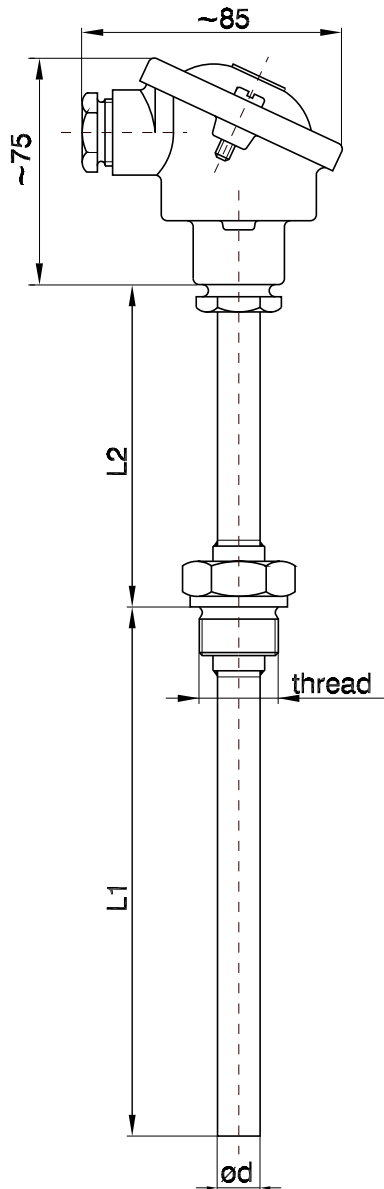
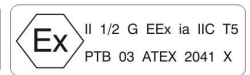


Thermocouples
with connection head
Series 254



Thermocouple with exchangeable measuring insert

Construction

Basic implementation
GL-implementation
EX-implementation

Connection head

Form B according DIN 43 729
Form BUZ for explosion-proof design according DIN 43 729
on inquiry

Protection classification

IP 54 according DIN 60529
on inquiry

Application temperature

up to +800 °C

Thermo junction

J (Fe-CuNi) DIN EN 60584
K (NiCr-Ni) DIN EN 60584
on inquiry

Number of Thermo junction

1 thermocouple
2 thermocouples

Wire size

1 mm

Protective tube material

1.4571

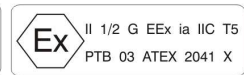
Protective tube diameter d

11 mm
on inquiry

Insert length L₁

on inquiry

Thermocouples
with connection head
Series 254



extension tube length L₂

130 mm
on inquiry

Thread

M20x1,5
G1/2A
M27x2
G3/4A
on inquiry