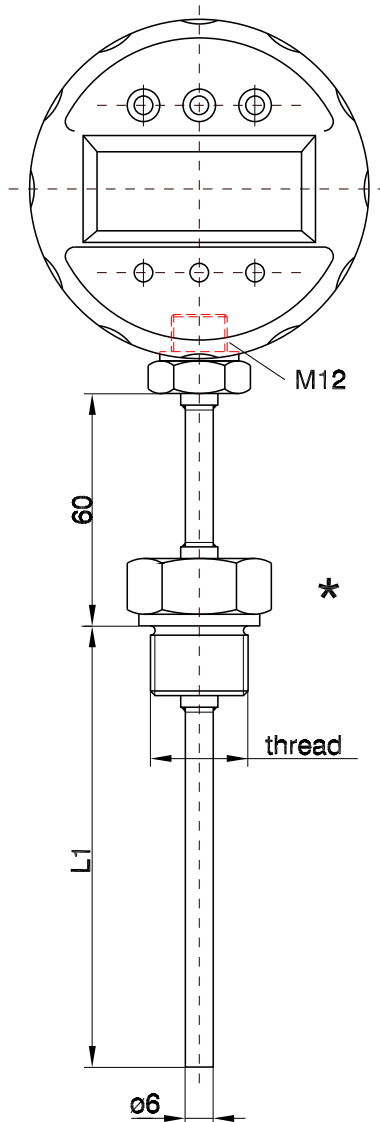


Thermocouples with display Series 511



Thermocouple with
- display or with
- display and analog signal output as soon as RS232- or USB-
interface for do sampling and configuration
(extra accessories : adapter cable and software, male connec-
tors M8 und M12)

Construction

- U- Display and output signal 0...10V, serial interface (exter-
nal voltage supply 24 V)
- I- Display and Output 4...20 mA, serial Interface (Voltage
supply from loop)
- B- Display (Voltage supply 9V battery, shutdown after 5 min.)

Connection head

plastic (max. 60°C ambient temperature)

Protection classification

IP 65 according DIN 60529

Application temperature

whole definition range of thermocouple

Thermo junction

- J (Fe-CuNi) DIN EN 60584
- K (NiCr-Ni) DIN EN 60584
- S (PtRh10-Pt) DIN EN 60584
- B (PtRh30-PtRh6) DIN EN 60584
- on inquiry

Number of Thermo junction

1 thermocouple

Protective tube material

1.4571

Protective tube diameter d

6 mm
on inquiry

Insert length L₁

on inquiry

Thermocouples
with display
Series 511

extension tube length L₂

60 mm
on inquiry

Thread

on inquiry

Measuring range of transmitter

on inquiry for design I or U

Accuracy

0,5 °C ± 1Digit

Current consumption

2.4 mA

Sampling rate

3/s

Connector

female connector M8

* Design of enclosure of protection or process connection are different types of our standard assortment. Design with fix outside thread, cup nut or adjustable screwing are possible.