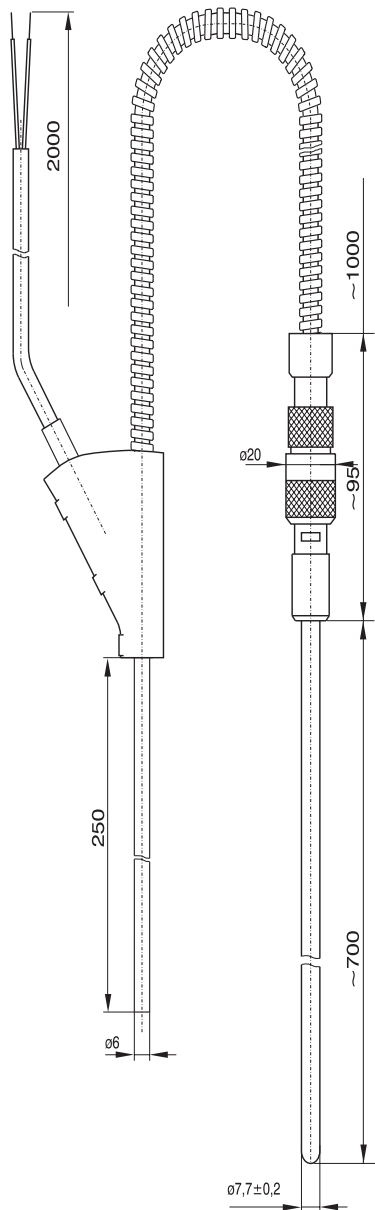


Thermocouples

Precision thermocouple

Series PTE



Application areas

- secondary level or transfer thermometer
- highly precise measurements in a large temperature range
- 0...1600 °C (type R,S)
- 400...1700 °C (type B)
- 0...1000 °C (type Au-Pt)
- 0...1300 °C (type Pt-Pd)

Technical datas

- Precious metal wires of high homogeneity and purity, 99.99% typical, on demand with improved reproducibility by means of a special thermal treatment
- protecting tube, alumina C799, one additional as spare, very easy replaceable, 7...8x700m, other geometry on demand
- handle 20 x 95mm, Ni-plated brass, max. temperature 80 °C
- save transport and storing in smart attached box
- total mass (incl. box) about 2,7 kg

Thermo junction

- S (PtRh10-Pt) DIN EN 60584
- R (PtRh13-Pt) DIN EN 60584
- B (PtRh30-PtRh6) DIN EN 60584
- Au-Pt DIN EN 62460
- Pt-Pd DIN EN 62460

Number of Thermo junction

- 1 thermocouple

Wire size

- 0,35 mm
- 0.5 mm

Protective tube material

- C 799

Thermocouples
Precision thermocouple
Series PTE

Protective tube diameter d

7 mm
8 mm
on inquiry

Protective tube length L

700 mm
on inquiry

Connector

free ends
others on inquiry