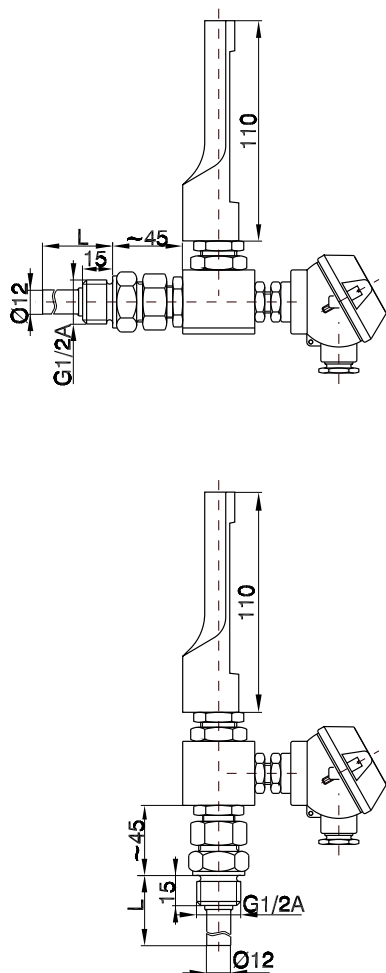


Resistance thermometers with glass thermometer for displaying Series 342



Combination of resistance and glass thermometer for synchronous measuring and displaying of temperatures

Construction

straight glass thermometer
angle glass thermometer

Connection head

Form F according DIN 43 729

Protection classification

IP 20 according DIN 60529

Application temperature

0 °C to 60 °C
0 °C to 120 °C
0 °C to 200 °C

Temperature sensor

1 x Pt 100 Class B DIN EN 60751

Circuitry

2 wire circuit
4 wire circuit

Protective tube material

1.4571
brass

Insert length L_1

63 mm
100 mm
160 mm

Thread

G1/2A
on inquiry