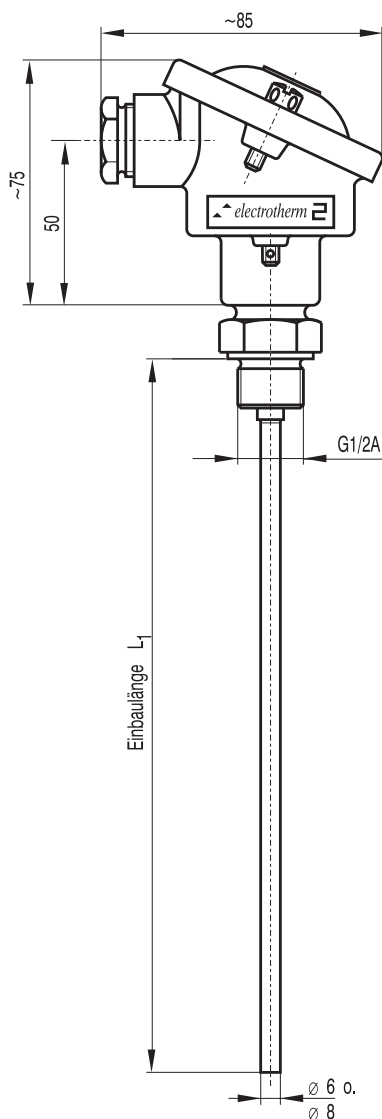


Resistance thermometers
with connection head
Series 352WZ

22.30
93.06



Exchangeable temperature probe for screwing in pipelines and containers with PTB-certificate for heatmeter;
Registration of the before- and return flow
temperature in heating circulations

Connection head

Form B according DIN 43 729

Protection classification

IP 54 according DIN 60529

Application temperature

0 °C to 200 °C
0 °C to 140 °C

Temperature sensor

1 x Pt 100 1/3 Class B according DIN EN 60751
1 x Pt 100 Class B according DIN EN 60751 (with sub classes)

Circuitry

2 wire circuit
3 wire circuit
4 wire circuit

Protective tube material

1.4571

Protective tube diameter d

6 mm
8 mm

Insert length L_1

80 mm to 400 mm

Thread

G1/2A