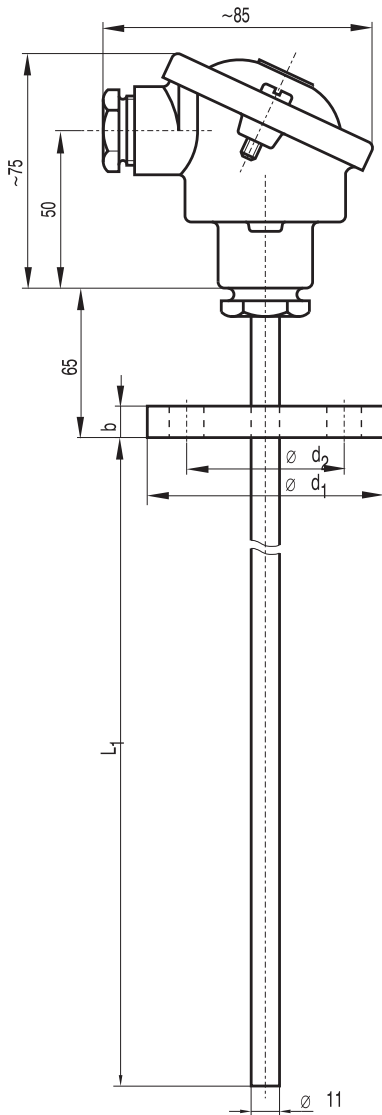
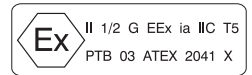


Resistance thermometers with connection head Series 374



Resistance thermometer with flange and replaceable measuring insert

Construction

Basic implementation
EX-implementation

Connection head

Form B according DIN 43 729
Form BUZ for explosion-proof design according DIN 43 729
on inquiry

Protection classification

IP 54 according DIN 60529
on inquiry

Application temperature

-200 to +600 °C
-50 to +400 °C
on inquiry

Temperature sensor

1 x Pt 100 Class A DIN EN 60751
1 x Pt 100 Class B DIN EN 60751
2 x Pt 100 Class A DIN EN 60751
2 x Pt 100 Class B DIN EN 60751
on inquiry

Circuitry

2 wire circuit
3 wire circuit
4 wire circuit

Flange

flange design, flange dimensions as soon as flange material
on inquiry

Protective tube material

1.4571
on inquiry

Insert length L_1

on inquiry