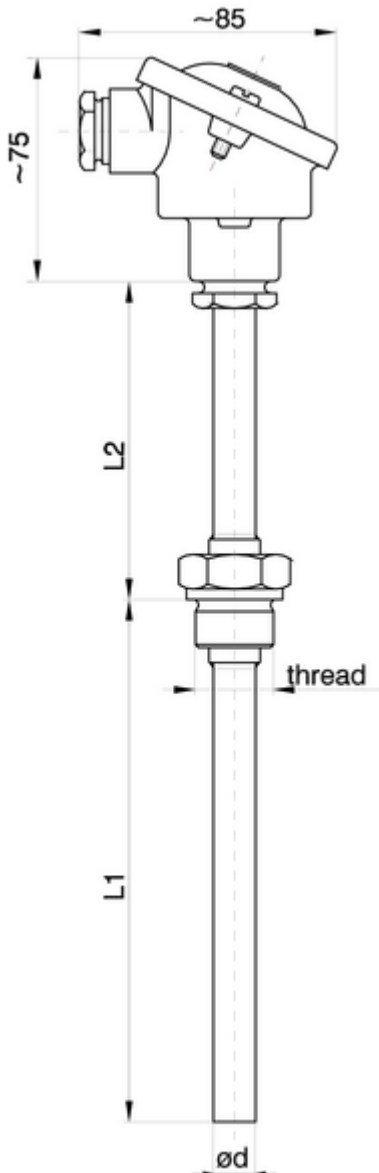


Thermocouples
with connection head
Model series 254



Thermocouple with exchangeable measuring insert

Construction

Basic implementation
Ex-implementation (intrinsically safe)

Connection head

Form B according DIN 43 729
Form BUZ for explosion-proof design according DIN 43 729
on inquiry

Protection classification

IP 54 according DIN 60529
on inquiry

Application temperature

up to +800°C

Number of Thermo junction

1 thermocouple
2 thermocouples

Wire size

1 mm

Protective tube material

1.4571

Protective tube diameter d

11 mm

Insert length L1

on inquiry

Extension tube length L2

130 mm
on inquiry

Thread

M20x1,5
M27x2
G1/2A
G3/4A
on inquiry