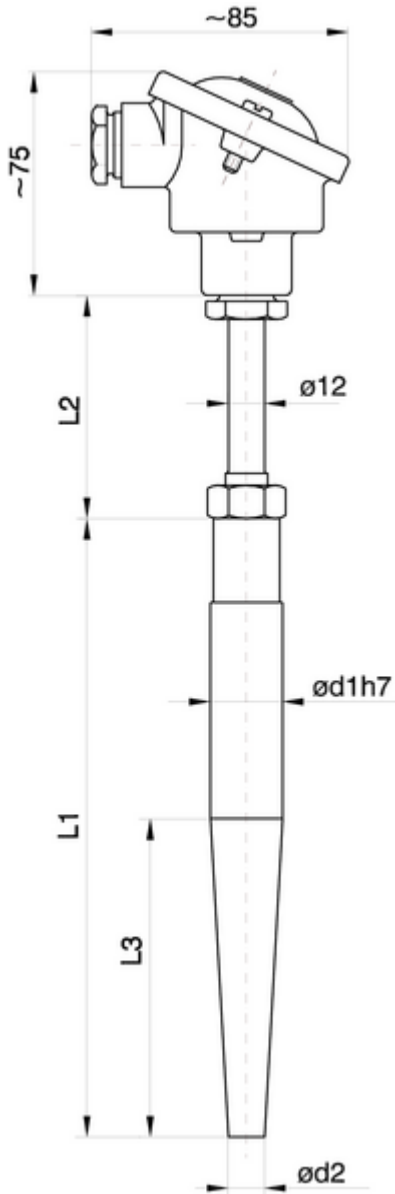


Thermocouples  
Thermocouple with explosion proof  
Model series 257



Thermocouple with exchangeable sheathed measuring insert and protective tube for welding in

#### Construction

Basic implementation  
Ex-implementation (intrinsically safe)

#### Connection head

Form B according DIN 43 729  
Form BUZ for explosion-proof design according DIN 43 729  
on inquiry

#### Protection classification

IP 54 according DIN 60529  
on inquiry

#### Application temperature

up to +800°C

#### Number of Thermo junction

1 thermocouple  
2 thermocouples

#### Protective tube material

1.0460 (C22.8)  
1.4571  
on inquiry

#### Protective tube Form 4 for welding in according DIN 43 772 Form; L1; L3; $\varnothing d1$ ; $\varnothing d2$ ; measuring insert- $\varnothing$ ; thread

D1: 140; 65; 24; 12,5; 6; M18x1,5  
D2: 200; 125; 24; 12,5; 6; M18x1,5  
D4: 200; 65; 24; 12,5; 6; M18x1,5  
D4S\*: 140; 65; 18; 9; 3; M14x1,5  
D5: 260; 125; 24; 12,5; 6; M18x1,5  
on inquiry

#### Extension tube length L2

130 mm  
on inquiry