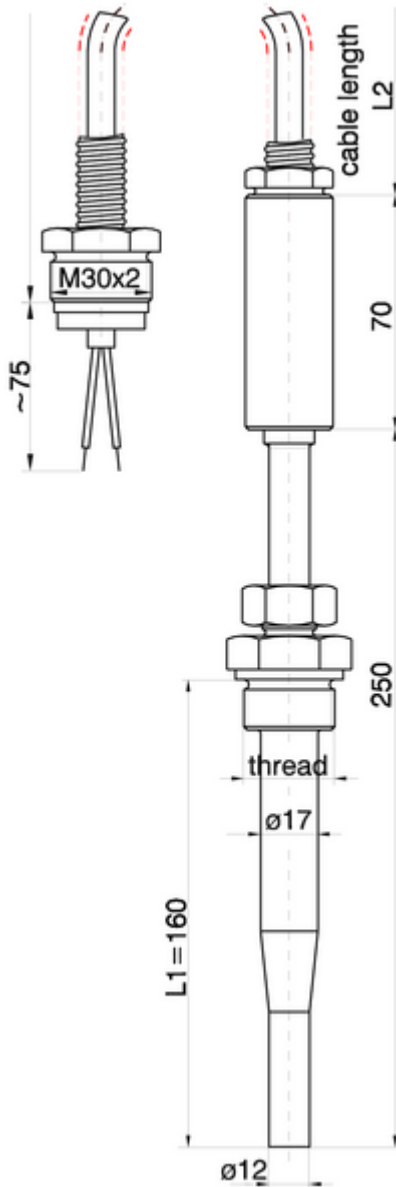


Thermocouples  
Special types  
Model series 258



Thermocouple with compensating cable and additional protective tube with clamp thread joint

**Construction**

Basic implementation

**Protection classification**

IP 68 according DIN 60529

**Application temperature**

up to +800°C

**Number of Thermo junction**

1 thermocouple  
on inquiry

**Protective tube material**

1.4571  
on inquiry

**Insert length L1**

160 mm  
on inquiry

**Compensating cable length L2**

1500 mm  
on inquiry

**Type of compensating cable**

SISI 2x1,5

**Thread**

M27x2  
on inquiry