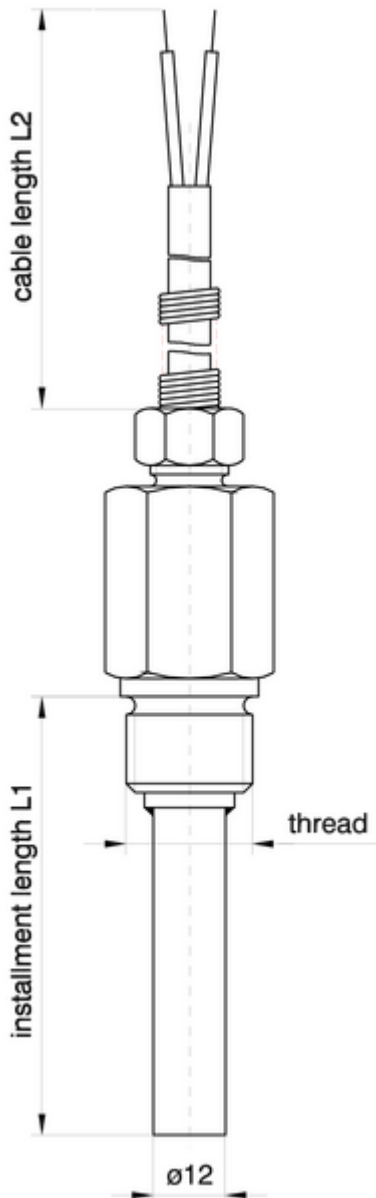


Thermocouples
Special types
Model series 259



Thermocouple with exchangeable sheathed-measuring insert

Construction

Basic implementation

Protection classification

IP 54 according DIN 60529

Application temperature

up to +800°C

Number of Thermo junction

1 thermocouple
on inquiry

Sheathed measuring inset diameter

6 mm

Protective tube material

1.4571
on inquiry

Insert length L1

on inquiry

Compensating cable length L2

1500 mm
on inquiry

Type of compensating cable

TGIV 2x1,5
on inquiry

Thread

M20x1,5
G1/2A
on inquiry