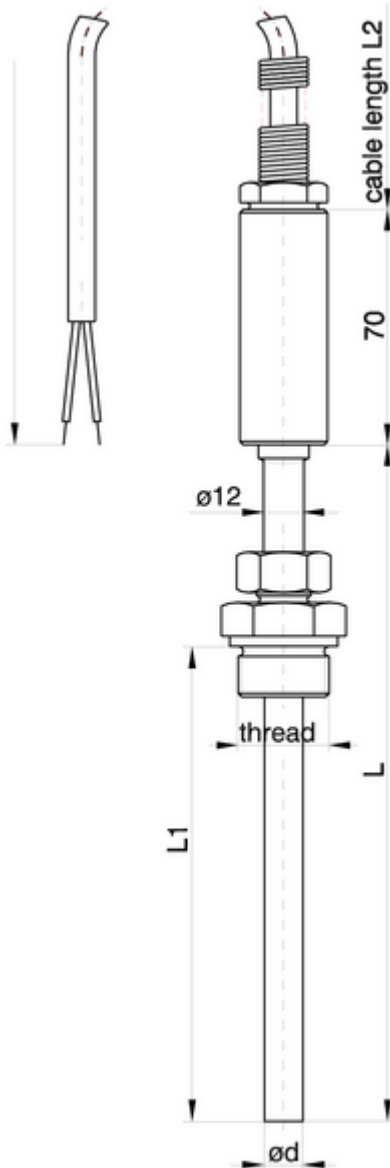


Resistance thermometers  
Special types  
Model series 325



Resistance thermometer with compensating cable

**Protection classification**

IP 68 according DIN 60529

**Application temperature**

-200 to +600°C

-50 to +400°C

**Temperature sensor**

1xPt 100 cl. F0,15 or W0,15 acc. to DIN EN 60751

1xPt 100 cl. F0,3 or W0,3 acc. to DIN EN 60751

2xPt 100 cl. F0,15 or W0,15 acc. to DIN EN 60751

2xPt 100 cl. F0,3 or W0,3 acc. to DIN EN 60751

on inquiry

**Circuitry**

2 wire circuit

4 wire circuit for 1xPt100

**Protective tube material**

1.4571

on inquiry

**Length of the connection cable L2**

1500 mm

on inquiry

**Type of connection cable**

Oilflex Classic 100

**Design**

design 0 without fastener

design 1 with adjustable screwing

design 2 with additional protective tube