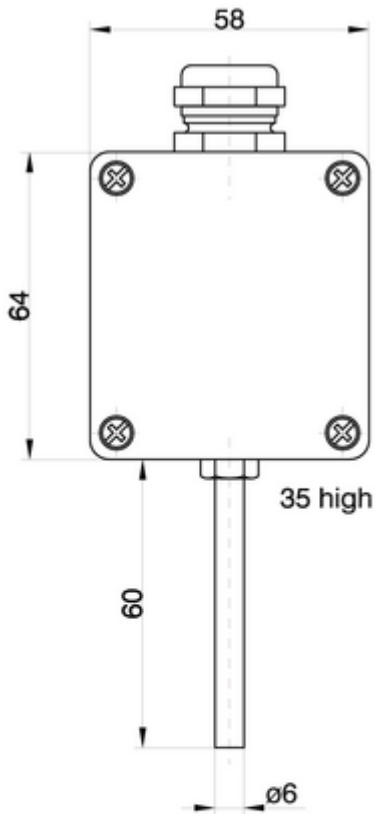


Resistance thermometers
Special types
Model series 350



Resistance thermometer with a plastic case for temperature measurement and -monitoring in cooling-, stock- and machinery rooms

Protection classification

IP 65 according DIN 60529

Application temperature

-40 °C to +90 °C

Temperature sensor

1xPt 100 cl. F0,15 acc. to DIN EN 60751

1xPt 100 cl. F0,3 acc. to DIN EN 60751

2xPt 100 cl. F0,15 acc. to DIN EN 60751

2xPt 100 cl. F0,3 acc. to DIN EN 60751

on inquiry

Circuitry

2 wire circuit

3 wire circuit

4 wire circuit for 1xPt100

Protective tube material

1.4571

on inquiry