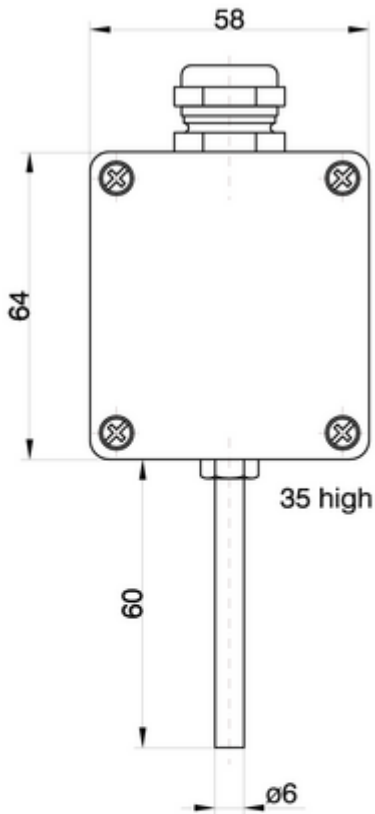


Resistance thermometers  
Special types  
Model series 351



Resistance thermometer inside a metal case for temperature measurement and -monitoring in cooling-, stock- and machinery rooms

**Protection classification**

IP 65 according DIN 60529

**Application temperature**

-40 °C to +100 °C

-40 °C to +120 °C (with ceramic socket)

**Temperature sensor**

1xPt 100 cl. F0,15 acc. to DIN EN 60751

1xPt 100 cl. F0,3 acc. to DIN EN 60751

2xPt 100 cl. F0,15 acc. to DIN EN 60751

2xPt 100 cl. F0,3 acc. to DIN EN 60751

on inquiry

**Circuitry**

2 wire circuit

3 wire circuit

4 wire circuit for 1xPt100

**Protective tube material**

1.4571

on inquiry