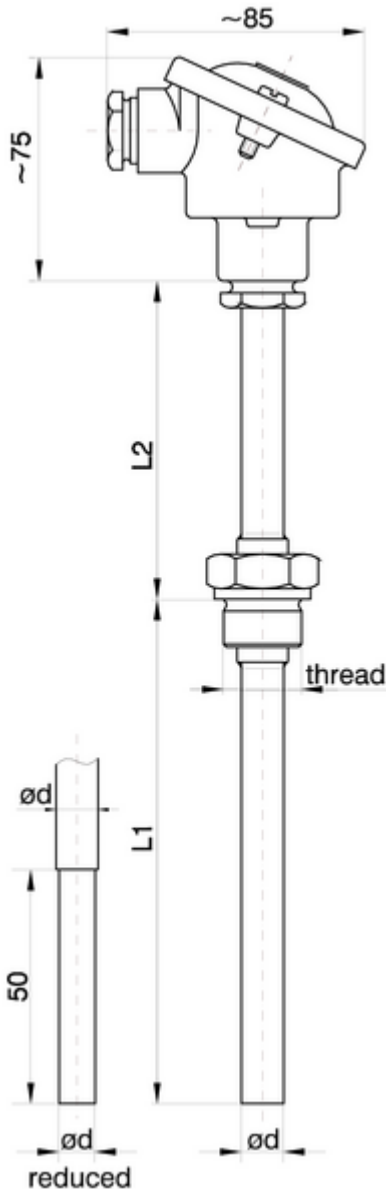


Resistance thermometers  
Resistance thermometers with explosion proof  
Model series 354



Resistance thermometer with exchangeable measuring insert

#### Construction

Basic implementation  
Ex-implementation (intrinsically safe)

#### Connection head

Form B according DIN 43 729  
Form BUZ for explosion-proof design according DIN 43 729  
on inquiry

#### Protection classification

IP 54 according DIN 60529  
on inquiry

#### Application temperature

-200 to +600°C  
-50 to +400°C  
on inquiry

#### Temperature sensor

1xPt 100 cl. F0,15 or W0,15 acc. to DIN EN 60751  
1xPt 100 cl. F0,3 or W0,3 acc. to DIN EN 60751  
2xPt 100 cl. F0,15 or W0,15 acc. to DIN EN 60751  
2xPt 100 cl. F0,3 or W0,3 acc. to DIN EN 60751  
on inquiry

#### Circuitry

2 wire circuit  
3 wire circuit  
4 wire circuit

#### Protective tube material

1.4571  
on inquiry

#### Protective tube diameter d

9 mm  
11 mm  
9 mm / 7 mm stepped  
11 mm / 9 mm stepped  
on inquiry

#### Insert length L1

on inquiry

#### Extension tube length L2

130 mm  
on inquiry

#### Thread

M20x1,5  
M27x2

Resistance thermometers  
Resistance thermometers with explosion proof  
Model series 354

---

G1/2A  
G3/4A  
on inquiry