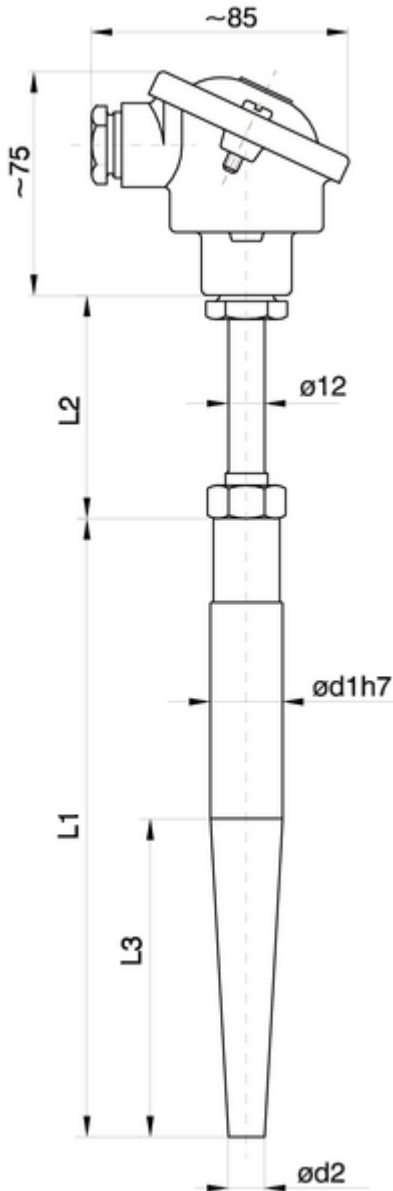


Resistance thermometers
Resistance thermometers with explosion proof
Model series 357



Resistance thermometer with exchangeable measuring insert,
for welding in, for high working pressure

Construction

Basic implementation
Ex-implementation (intrinsically safe)

Connection head

Form B according DIN 43 729
Form B (Form BUZ for explosion-proof design) according
DIN 43 729

Protection classification

IP 54 according DIN 60529
on inquiry

Application temperature

-200 to +600°C
-50 to +400°C
on inquiry

Temperature sensor

1xPt 100 cl. F0,15 or W0,15 acc. to DIN EN 60751
1xPt 100 cl. F0,3 or W0,3 acc. to DIN EN 60751
2xPt 100 cl. F0,15 or W0,15 acc. to DIN EN 60751
2xPt 100 cl. F0,3 or W0,3 acc. to DIN EN 60751
on inquiry

Circuitry

2 wire circuit
3 wire circuit
4 wire circuit

Protective tube material

1.0460 (C22.8)
1.4571
on inquiry

Protective tube Form 4 for welding in according DIN 43 772 Form; L1; L3; $\varnothing d1$; $\varnothing d2$; measuring insert- \varnothing ; thread

D1: 140; 65; 24; 12,5; 6; M18x1,5
D2: 200; 125; 24; 12,5; 6; M18x1,5
D4: 200; 65; 24; 12,5; 6; M18x1,5
D4S*: 140; 65; 18; 9; 3; M14x1,5
D5: 260; 125; 24; 12,5; 6; M18x1,5

Extension tube length L2

130 mm
on inquiry