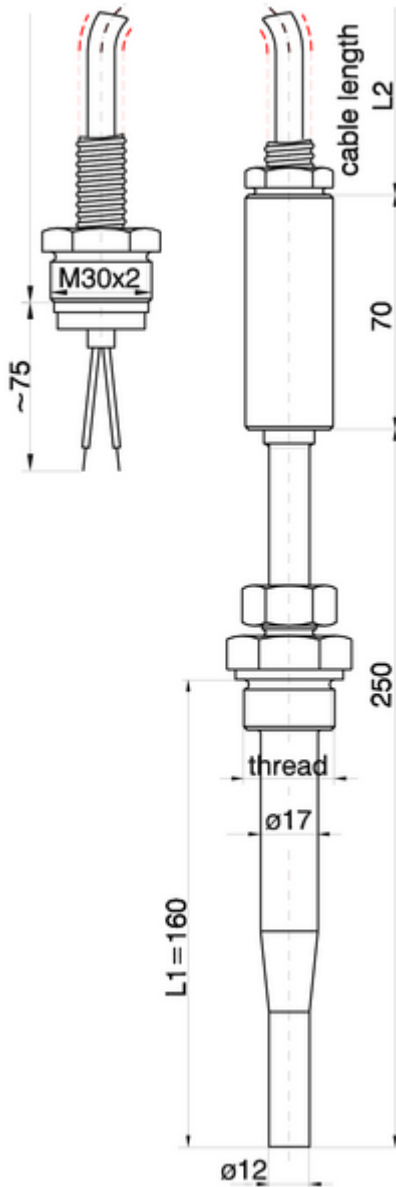


Resistance thermometers
Special types
Model series 358



Resistance thermometer with connection cable and additional protective tube with clamp thread joint

Protection classification

IP 68 according DIN 60529

Application temperature

-200 to +600°C

Temperature sensor

1xPt 100 cl. F0,15 or W0,15 acc. to DIN EN 60751

1xPt 100 cl. F0,3 or W0,3 acc. to DIN EN 60751

2xPt 100 cl. F0,15 or W0,15 acc. to DIN EN 60751

2xPt 100 cl. F0,3 or W0,3 acc. to DIN EN 60751

on inquiry

Circuitry

2 wire circuit

4 wire circuit for 1xPt100

Protective tube material

1.4571

on inquiry

Insert length L1

160 mm

Length of the connection cable L2

1500 mm

on inquiry

Type of connection cable

TeSi 2xAWG22

TeSi 4xAWG22

on inquiry

Thread

M20x1,5

M27x2

G1/2A

G3/4A