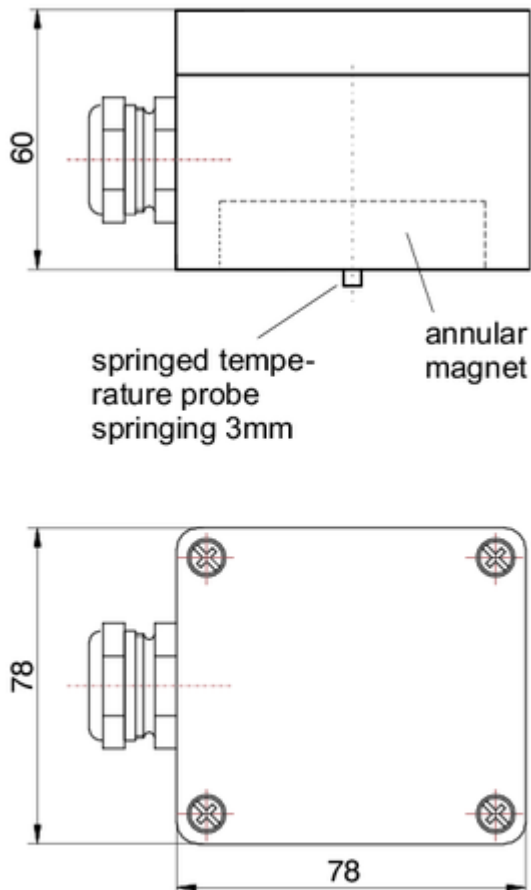


Resistance thermometers
Special types
Model series 416



Resistance thermometer in an aluminium case for surface measurement with magnet; application with built-in transmitter is available (output signal 4...20mA or 0...10V)

Protection classification

IP 54 according DIN 60529

Application temperature

-30 °C to +80 °C

Temperature sensor

1xPt 100 cl. F0,15 acc. to DIN EN 60751

1xPt 100 cl. F0,3 acc. to DIN EN 60751

1xPt 500 cl. F0,3 acc. to DIN EN 60751

Circuitry

2 wire circuit

3 wire circuit

4 wire circuit

Protective tube material

1.4571