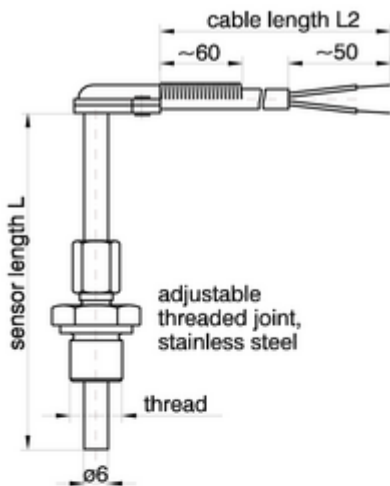


Cable sensors  
Cable sensors with explosion proof  
Model series K7T



Thermocouple - cable sensor with angled cable junction and adjustable thread joint

Please declare desired temperature range for case of application!

#### Construction

Basic implementation  
Ex-implementation (intrinsically safe)

#### Application temperature

on inquiry, depends on sensor and protective tube material

#### Thermo junction

J (Fe-CuNi) DIN EN 60584  
K (NiCr-Ni) DIN EN 60584  
on inquiry

#### Number of Thermo junction

1 thermocouple  
2 thermocouples

#### Protective tube material

1.4571  
on inquiry

#### Protective tube diameter d

6 mm  
on inquiry

#### Sensor length L

on inquiry (length of screwing +10 ... 1000 mm)

#### Type of compensating cable

on inquiry

#### Cable length L2

on inquiry min. 100 mm

#### Bend protection

without  
with spiral spring

#### Thread

M10x1  
G1/4A  
G1/2A  
on inquiry

#### Connector

free ends  
connector on inquiry