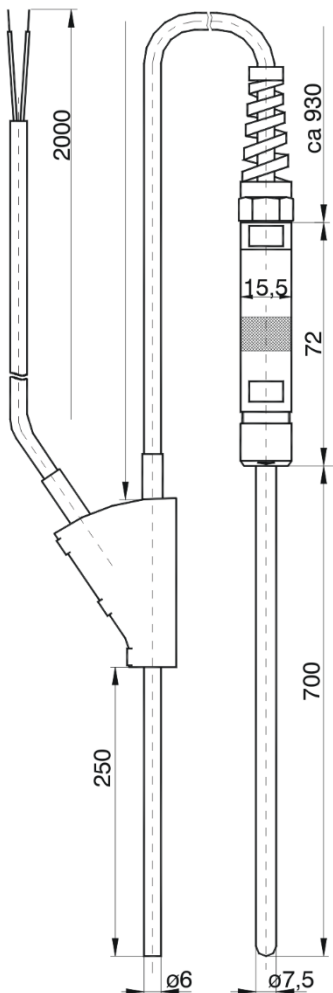


Thermocouples
Precision thermocouples
Model series PTE



Application areas:

- secondary level or transfer thermometer
- highly precise measurements in a large temperature range
- 0...1600°C (type R, S)
- 400...1700°C (type B)
- 0...1000°C (type Au-Pt)
- 0...1300°C (type Pt-Pd)

Technical datas:

- Precious metal wires of high homogeneity and purity, 99,99% typical, on demand with improved reproducibility by means of a special thermal treatment
- Protective tube, alumina C799, on additional as spare, very easy replaceable, \varnothing 7...8 x 700mm, other geometry on demand
- handle \varnothing 20 x 95 mm, Ni-plated brass, max. temperature 80°C
- save transport and storing in smart attached box
- total mass (incl. box) about 2,7 kg

Thermo junction

- S (PtRh10-Pt) DIN EN 60584
- R (PtRh13-Pt) DIN EN 60584
- B (PtRh30-PtRh6) DIN EN 60584
- Au-Pt DIN EN 62460
- Pt-Pd DIN EN 62460

Number of Thermo junction

- 1 thermocouple

Wire size

- 0,35 mm
- 0,5 mm

Protective tube material

- C 799

Protective tube diameter d

- 7 mm
- 8 mm
- on inquiry

Protective tube length L

- 700 mm
- on inquiry

Connector

- free ends
- others on inquiry