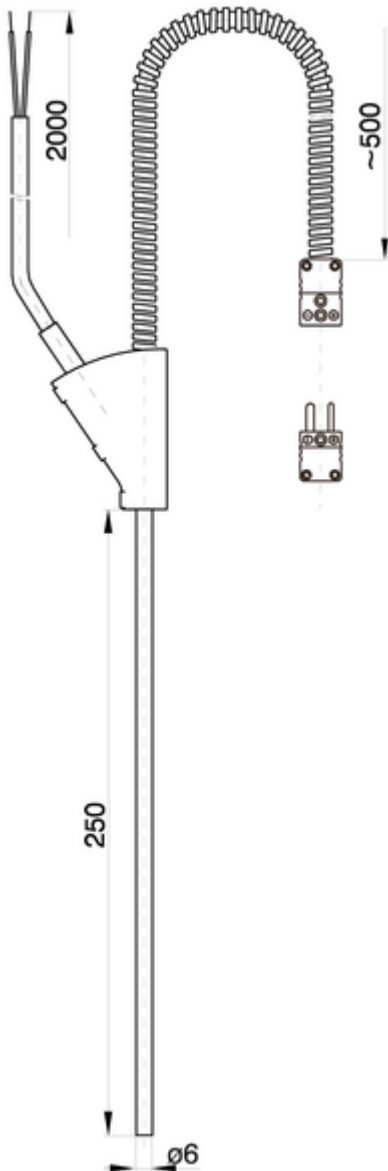


## Components and accessories

### Reference junction

### Cold junction VGS



For all thermocouple tests with higher accuracy requirements, especially in calibration laboratories.

Application in compressed ice-water mixture in a Dewar container.

#### Connector

free ends  
connector on inquiry

#### Thermo junction

L (Fe-CuNi) DIN 43710  
J (Fe-CuNi) DIN EN 60584  
K (NiCr-Ni) DIN EN 60584  
N (NiCrSi-NiAl) DIN EN 60584  
E (NiCr-CuNi) DIN EN 60584  
T (Cu-CuNi) DIN EN 60584  
S (PtRh10-Pt) DIN EN 60584  
R (PtRh13-Pt) DIN EN 60584  
B (PtRh30-PtRh6) DIN EN 60584  
Au-Pt DIN EN 62460  
Pt-Pd DIN EN 62460  
on inquiry

#### Type of connection cable

2m Cu stranded wire LifY 0,5 mm<sup>2</sup>, with low e.m.f.